

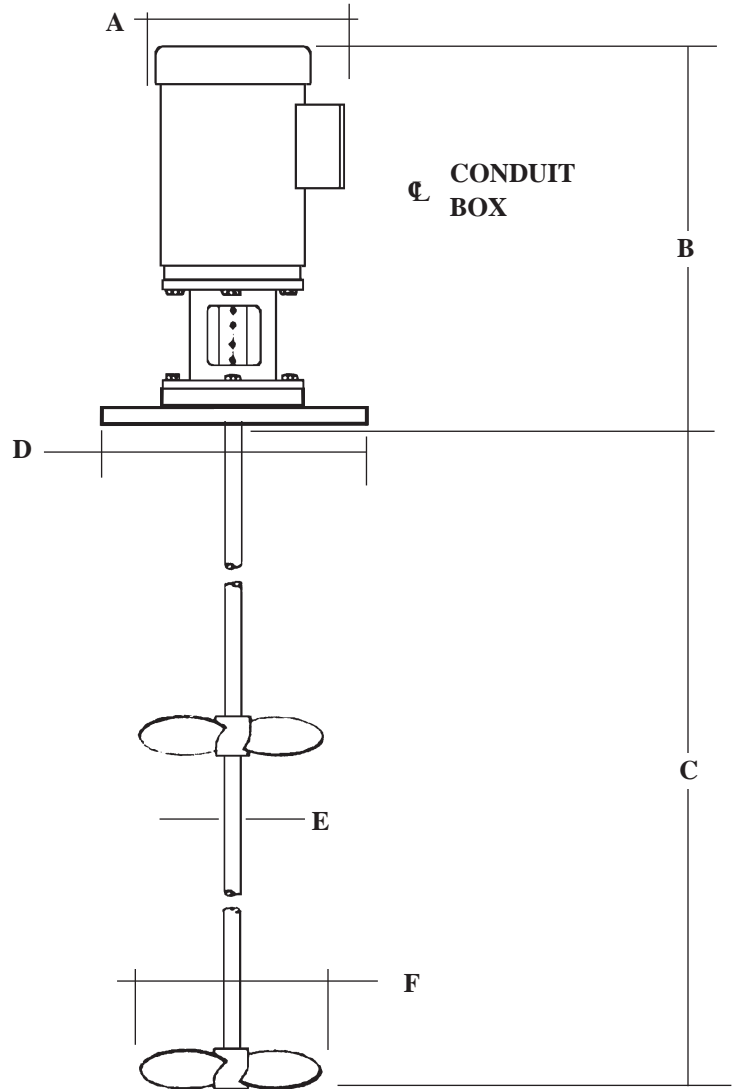


# SPECIFICATION SHEET SERIES 700 DIRECT DRIVE

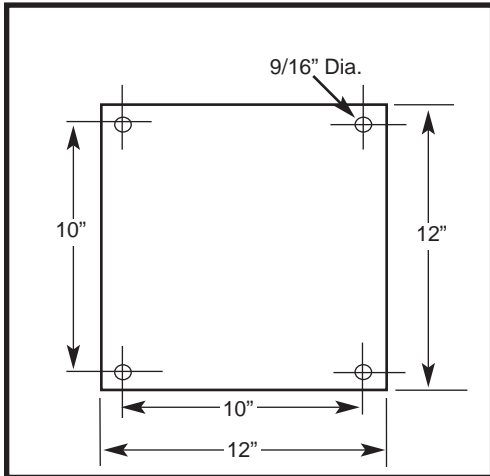
Avail Models: Electric (TEFC), Air, X-proof, Vari-speed

4310 North 126th Street Brookfield, WI 53005 (U.S.A.)  
 Phone: 262-781-5020 Fax: 262-781-8120  
[www.Grovhac.com](http://www.Grovhac.com)

**OPTIONS INCLUDE:**  
 16" x 16" SQ. Flanges  
 150# Flanges  
 Double Mechanical Seal  
 Stuffing Box  
 Angle Mount



**Mounting Hole Pattern**



MODEL	H.P.	R.P.M.	* A	* B	* C	D	E	SINGLE G	DUAL G
700-250-DD	.25	1725	8.50"	19.4"	36"	12"	5/8"	4"	3"
700-333-DD	.33	1725	8.50"	19.4"	36"	12"	5/8"	4.5"	4"
700-500-DD	.50	1725	8.50"	19.4"	36"	12"	5/8"	5"	4.5"
700-750-DD	.75	1725	8.50"	19.9"	36"	12"	5/8"	5"	4.5"
700-1000-DD	1.00	1725	8.50"	19.9"	36"	12"	5/8"	6"	5"
700-1500-DD	1.50	1725	8.50"	20.5"	36"	12"	5/8"	6"	5"
700-2000-DD	2.00	1725	8.50"	27.3"	36"	12"	5/8"	6.5"	6"

\* MAY VARY WITH PHASE OR ENCLOSURES.